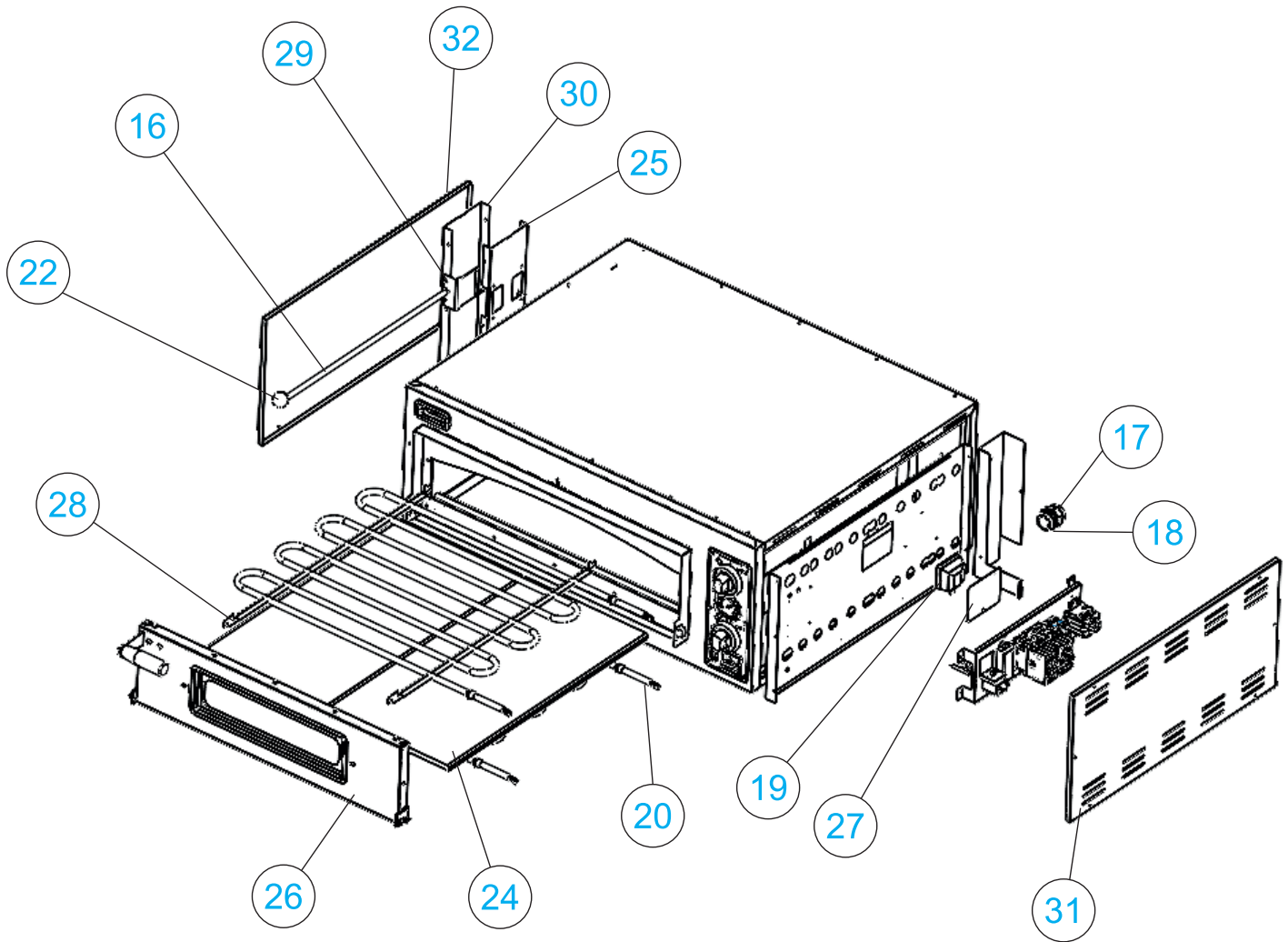


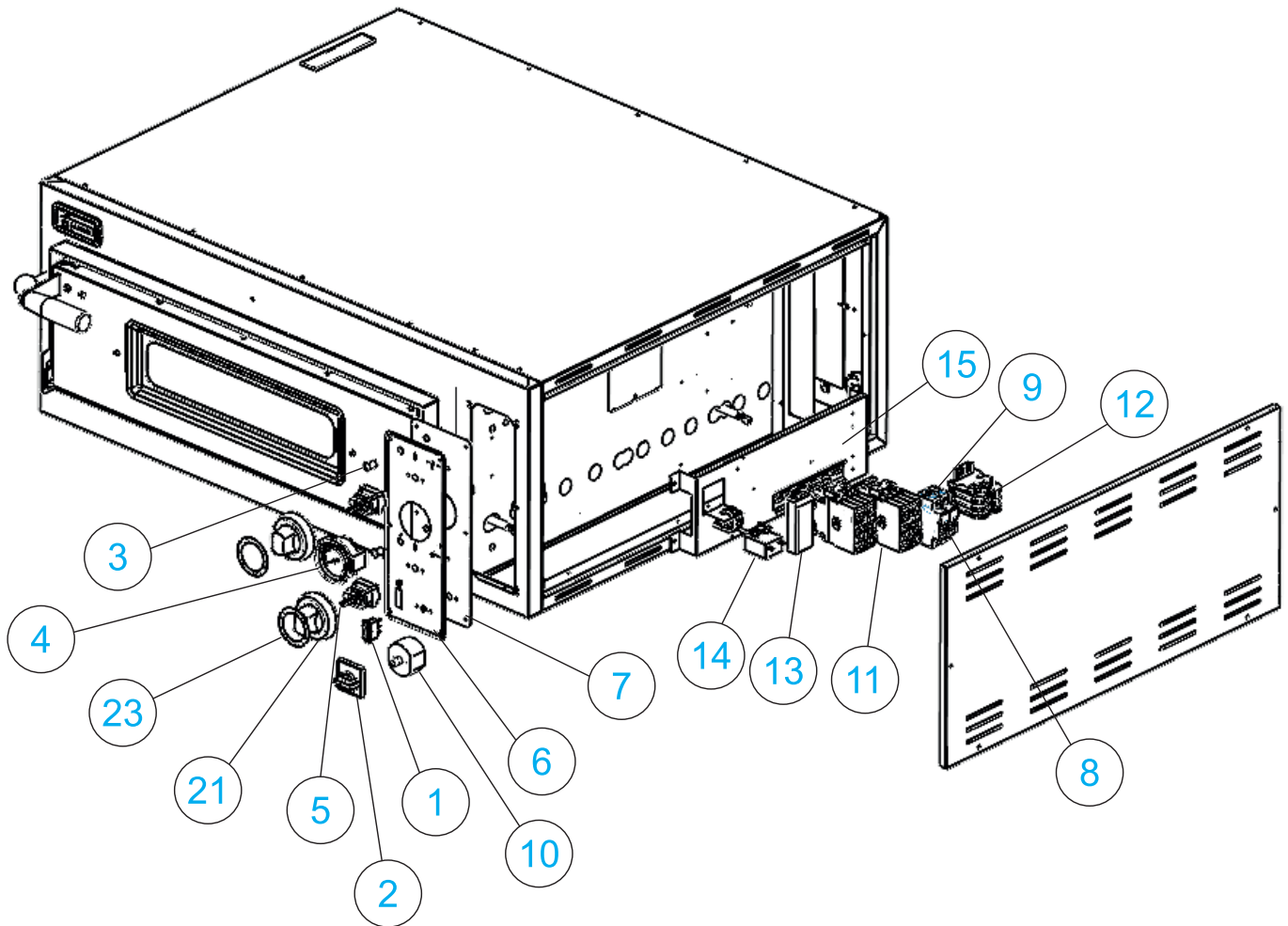
PARTS BREAKDOWN

ITEM	MODEL
40635	PE-IT-0019-S



PARTS BREAKDOWN

ITEM	MODEL
40635	PE-IT-0019-S



PARTS BREAKDOWN

ITEM	MODEL
40635	PE-IT-0019-S

Item No.	Description	Position	Item No.	Description	Position	Item No.	Description	Position
42048	Luminous Unipolar Red Switch for 40635	1	AQ716	Assembled Terminal Block 4 Poli + Ground G/V + Block Module 600V/100A Mounted on Din Rail L=110mm for 40635	12	46194	Thermostat Knob Label BL for 40635	23
74760	Grey Plate/Black Knob 48x48 (for Giovenzana Mainswitch 16/32 A) for 40635	2	62493	Transformer 40VA 50/60Hz 230V-12V for 40635	13	76650	Brick 350x700x14 for 40635	24
42848	Transparent LED Bulb 380V (Including Hood) for 40635	3	AM700	Unipolar Safety Thermostat 512TH - UL (55.13584.010) T.D. 8514.90.70 for 40635	14	AQ719	Chimney Base for 40635	25
74749	Thermometer Ø 60 Tar. 0-500C for 40635	4	AQ717	Electrical Support System 230V for 40635	15	76604	Complete Door for 40635	26
AM897	Unipolar Thermostat Ego 450 Deg - (55.19082.805 - EU) for 40635	5	AQ718	Chimney Closure Rod M8x580 for 40635	16	AQ720	Lamp Hole Closure Panel for 40635	27
AQ712	Front Command Label Polic. Release 2018 for 40635	6	AM850	Cable Gland PG29 Gray for 40635	17	AN340	Resistor Support Entry for 40635	28
AQ713	Command Panel for 40635	7	AM851	Lock Nut PG29 Gray for 40635	18	AQ721	Chimney Closure Bracket for 40635	29
44919	Fuse for 40635	8	AQ161	Lamp Holder 80x65 with Cables PTFE - Glass - Lamp G4 12V 20W 450C for 40635	19	AQ722	Single-Chamber Chimney Casing for 40635	30
AQ714	Mersen Fuse Holder for 10x38 Fuses - UL for 40635	9	76612	Resistor 2800 W 230 V Prime for 40635	20	76603	RH Side Panel for 40635	31
42035	16A Actuator P0160004R001 4-Polar Switch Yellow for 40635	10	77272	Thermostat Knob for 40635	21	76602	LH Side Panel for 40635	32
AQ715	Contactora 4P NO 30A 100-250V 50-60 Hz AF16-40-00-13 for 40635	11	76614	Spheric Knob PLX.30-M8-C9 for 40635	22			